



5W USB PLUG IN SERIES ADAPTER



ROHS
Green product

Features

- Limited Power Source
- Class B EMI
- CEC Compliance(<0.3w for EU)Level V
- Energy Star Level V
- Class II Double Insulated
- No Load Power Consumption<0.5 Watt
- High Efficiency

Applications

- Wireless Communications
- Peripherals
- Portable Equipment
- PDA

Safety Approvals

- CUL/UL(pending)
- TUV (pending)
- SAA (pending)
- CE (pending)
- C-Tick (pending)
- CCC (pending)
- PSE (pending)
- BSMI (pending)

Mechanical Characteristics

- Length: 62.0mm
- Width: 33.5mm
- Height: 25.5mm
- Weight: 70g (ref)

Output Specifications

Model	DC Output Voltage(V)	Load	Ripple(1) P-P(max)	Regulation	
				Line	Load
ADS0056-x 033zzz	3.3	300mA	100mV	±5%	
ADS0056-x 033zzz	3.3	500mA	100mV	±5%	
ADS0056-x 033zzz	3.3	800mA	100mV	±5%	
ADS0056-x 033zzz	3.3	1000mA	100mV	±5%	
ADS0056-x 035zzz	3.5	300mA	100mV	±5%	
ADS0056-x 035zzz	3.5	500mA	100mV	±5%	
ADS0056-x 035zzz	3.5	800mA	100mV	±5%	
ADS0056-x 035zzz	3.5	1000mA	100mV	±5%	

Note: ADS0056-x yyyzzz,(x=B,D,A,P,K,W,J;yyy=030-180;zzz=000-100)
B(EU) , D(UK) , A(C-Tick) , P(CCC) , K(EK) , W(USA) , J(JAPAN)

Model	DC Output Voltage(V)	Load	Ripple(1) P-P(max)	Regulation	
				Line	Load
ADS0056-x 050zzz	5.0	300mA	100mV	±5%	
ADS0056-x 050zzz	5.0	500mA	100mV	±5%	
ADS0056-x 050zzz	5.0	800mA	100mV	±5%	
ADS00561-x 050zz	5.0	1000mA	100mV	±5%	
ADS0056-x 060zzz	6.0	300mA	100mV	±5%	
ADS0056-x 060zzz	6.0	500mA	100mV	±5%	
ADS0056-x 060zzz	6.0	800mA	100mV	±5%	
ADS0056-x 075zzz	7.5	300mA	100mV	±5%	
ADS0056-x 075zzz	7.5	650mA	100mV	±5%	
ADS0056-x 090zzz	9.0	300mA	100mV	±5%	
ADS0056-x 090zzz	9.0	550mA	100mV	±5%	
ADS0056-x 100zzz	10	300mA	100mV	±5%	
ADS0056-x 100zzz	10	500mA	100mV	±5%	
ADS0056-x 120zzz	12	200mA	120mV	±5%	
ADS0056-x 120zzz	12	420mA	120mV	±5%	
ADS0056-x 130zzz	13	380mA	130mV	±5%	
ADS0056-x 150zzz	15	330mA	150mV	±5%	
ADS0056-x 180zzz	18	280mA	180mV	±5%	

ADS5W Series Characteristics

INPUT:

AC Input Voltage Rating

100 to 240VAC 50/60Hz

AC Input Voltage Range

90 to 264VAC

Input Current

0.2A max

Leakage Current

0.25mA max . @ all line conditions

Inrush Current(cold)

<50A for 240VAC at max. load
(Cold start @ ambient 25°C)

Input Power Saving

0.5W max. for 240VAC at no load
0.3W max for 240VAC no load for EU version

OUTPUT:

Efficiency

65-80% max. load (various in voltage)

Hold-up Time

10mS min. @ 120VAC and max. load

Over Current Protection

Output equipped with short circuit protection - auto re-start

Over Voltage Protection

By Zener Clamping

Short Circuit Protection

Output can be shorted without damage,
auto re-start

ENVIRONMENTAL:

Temperature

Operation 0 to +40°C

Non-operation -25 to +70°C

Humidity

Operation 20 to 90%

EMC

FCC PART 15 Class B

CISPR 22/24 class B

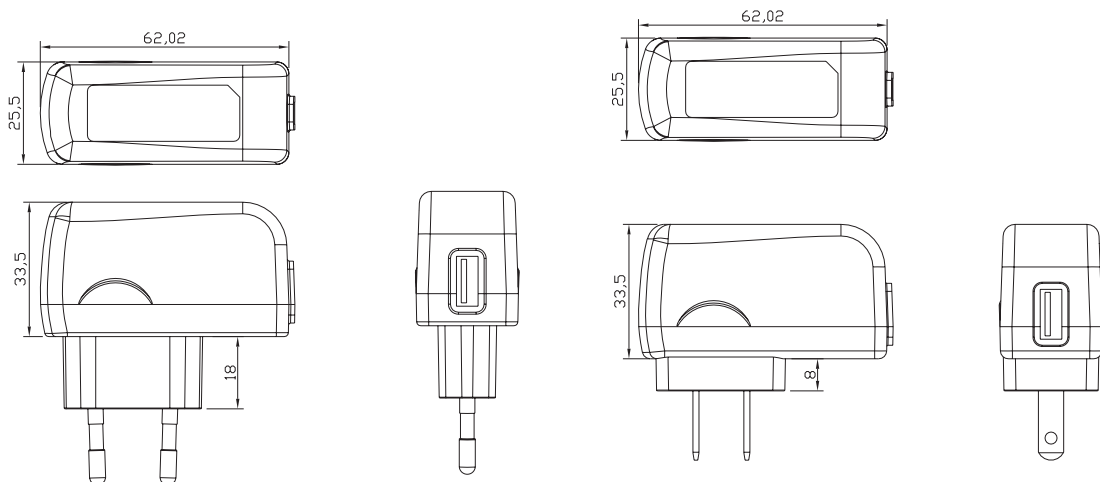
Dielectric Withstand(Hi-pot)Test

Primary to Secondary: 3000VAC

DC Output Connector

According customer's requirement

Dimension Diagram Unit:mm



VDE

UL